

Turbine Series - 751000MAV-MAVM

FUEL

Specifications:

Height: MAV - 21.32" (54.15 cm)
 MAVM - 20.8" (52.8 cm)

Width: 15.0" (38.1 cm)

Depth: 11.8" (29.9 cm) with Bracket

Weight: MAV - 35 lbs (16 kg)
 MAVM - 37 lbs (16.8 kg)

Ports: 3/4"-14 NPT

Service Clearance (Top): 10.0" (25.4 cm)

Vacuum Installation Recommended
Maximum Pressure: 15 psi (1.03 bar)

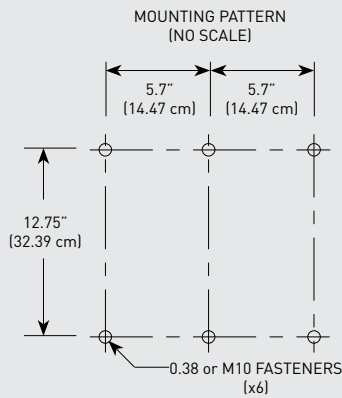
Max Flow Rate: 360 gph (1363 lph)

Create a Part Number

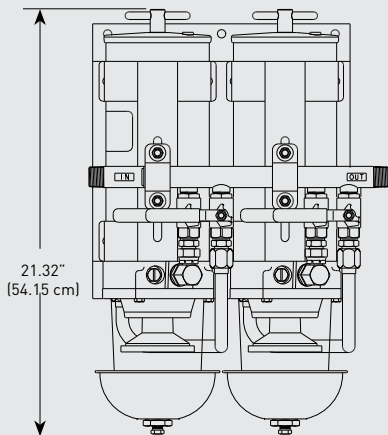
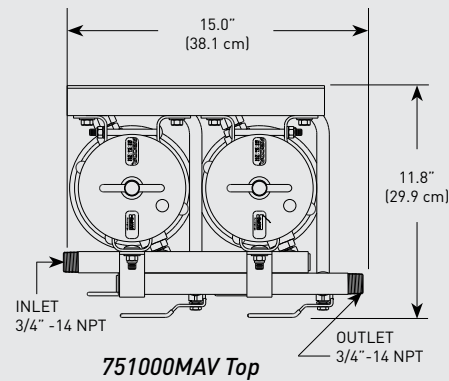
| | | | | | | | | | | | |
|----------------------|---------------------------------------------------|---------------------|--------------------------------------------------|-------------------|--------|--------------------------|------------|--------------------------|----------|-----------|-----------|
| Assembly Type | Double Assembly - Valves 180/360 gph Flow Rate | Filter Model | Turbine Model - Marine 180 gph Flow Rate (X2) | Model Type | Valves | Metal Bowl Option | Metal Bowl | Filtration Rating | 2 micron | 10 micron | 30 micron |
| | 75 | | 1000MA | | V | | M | | 2 | 10 | 30 |

RACOR®

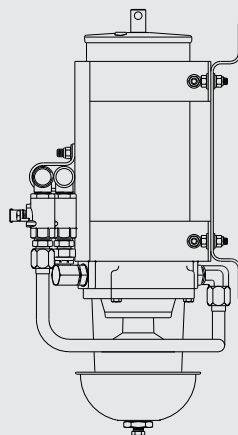
Dimensions:



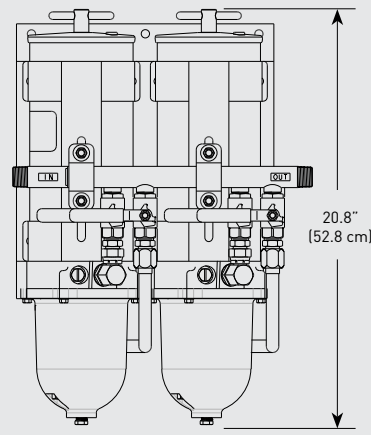
| ASSEMBLY | DESCRIPTION |
|--------------------------|-----------------------------------------------------------------|
| 751000MAV10, 751000MAV30 | Double Manifold 1000 Turbine Assy., 10 or 30 micron Filter |
| 751000MAVM2 | Double Manifold 1000 Turbine Assy., Metal Bowl, 2 micron Filter |



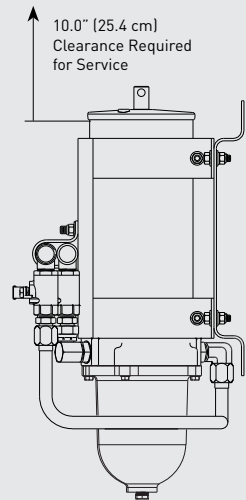
751000MAV Front



751000MAV Profile



751000MAVM Front



751000MAVM Profile

DUAL ASSEMBLIES

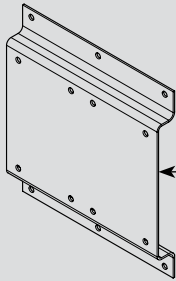


WARNING: The products described in this literature can expose you to chemicals including Diisononyl phthalate, Carbon black extract, which are known to the State of California to cause cancer. For more information go to www.P65Warnings.ca.gov.

PARTS

Turbine Series - 751000MAV-MAVM

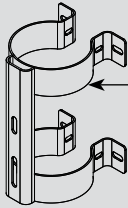
1



1A

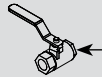
| Part # | Description |
|--------|------------------------------------------------------------------------------------------------------------------------------|
| 1A | Main Mounting Bracket - <i>Contact Technical Support</i> |
| 2A | Manifold Assembly Bracket - <i>Contact Technical Support</i> |
| 3A | RK 11073 Ball Valve Assembly (<i>uses 4</i>) |
| 4A | Manifold tube - <i>Contact Technical Support</i> |
| 5A | 11-1761 U-bracket (<i>uses 2</i>) |
| 6A | Turbine Fuel Filter - 1000MA/MAM Series (<i>Uses 2</i>) See Cutsheet RSL0293 for available Parts and Accessories |

2



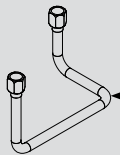
2A

3



3A

4



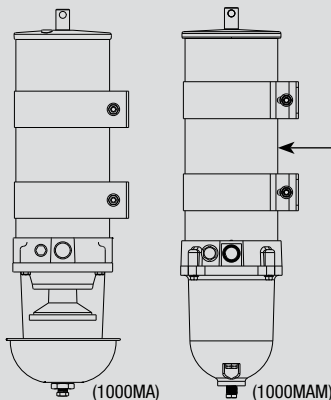
4A

5



5A

6



6A

Accessories and Parts Available (Not Shown)

| | | |
|-----|----------------------------------|---------------------------------------------------------------------------------------------------------------------------------------------------------------------------------------|
| 7A | RK 11-1404 | Complete Seal Service Kit - 1000MA/MAM Series Filters (<i>Requires 2</i>) |
| 7B | RK 21069 RK23191 | WIF Probe - 1/2"-20 UNF - 2-wire (MA) - Requires 7C * WIF Probe - Stainless Steel - 1/2"-20 UNF - 2-wire (MAM) - Requires 7C * |
| 7C | RK 14329 RK 14321 | Water Detection Module - 12 vdc Water Detection Module - 24 vdc |
| 8A | | Bowl Gasket - Included in 7A |
| 8B | RK 11-1606-1 | MA Bowl Kit (Clear) - Includes 8A, 9B & 9F (Gasket & O-ring only) |
| 8C | RK 11734-03 | MAM Bowl Kit (Metal) - Includes 8A, 9A, 9D and 10B |
| 9A | RK 20022 | Metal Bowl Plug Kit (MAM) (O-ring Included in 7A) |
| 9B | RK 20126 | Plastic Bowl Plug Kit (MA) (O-ring Included in 7A) |
| 9C | RK 11868 | Heat Deflector Kit (MA) - Includes 9F |
| 9D | | Drain Plug (MAM) - <i>Contact Technical Support</i> |
| 9E | RK 11-1910 | Drain Plug Kit (MA) (Gasket & O-ring Included in 7A) |
| 10A | RK 11037A-01 | Bowl Ring Kit (For MA Only - White) - Includes 8A & 10B |
| 10B | RK 11542 | Cap Screw Bowl Ring Fasteners (set of 4) |
| 11A | 2020N-02 2020N-10 2020N-30 | 1000MA/MAM Replacement Element 2 micron (<i>uses 3</i>) 1000MA/MAM Replacement Element 10 micron (<i>uses 3</i>) 1000MA/MAM Replacement Element 30 micron (<i>uses 3</i>) |

* Note: If all units are used simultaneously, one probe or sensor can be used. If units are used as backups, then a probe or sensor should be installed in each bowl. Multiple probes can be wired in parallel to a single detection module.

See **RSL0293**
For 1000MA/MAM Parts Breakdown



Online Link
Turbine Series Selector



Online Link
Turbine Series
Replacement Parts Selector